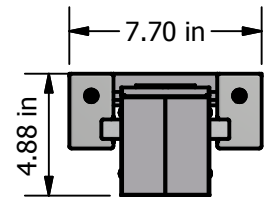
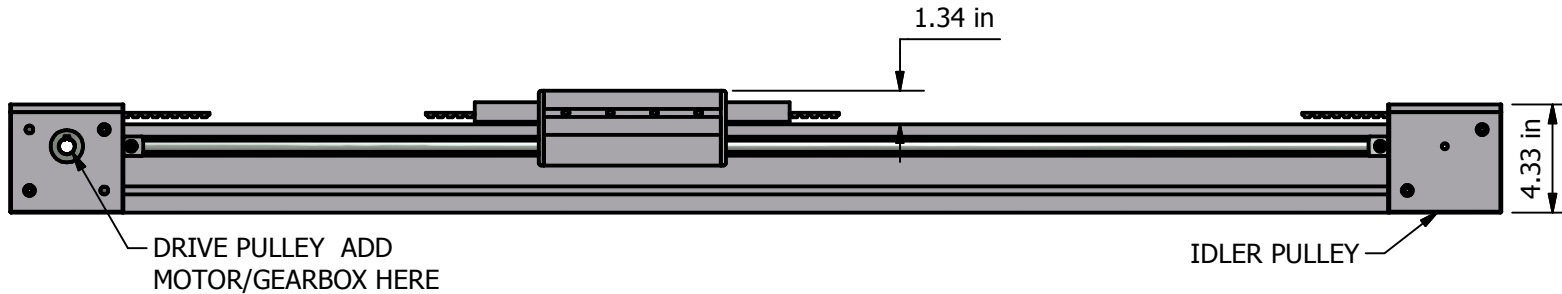
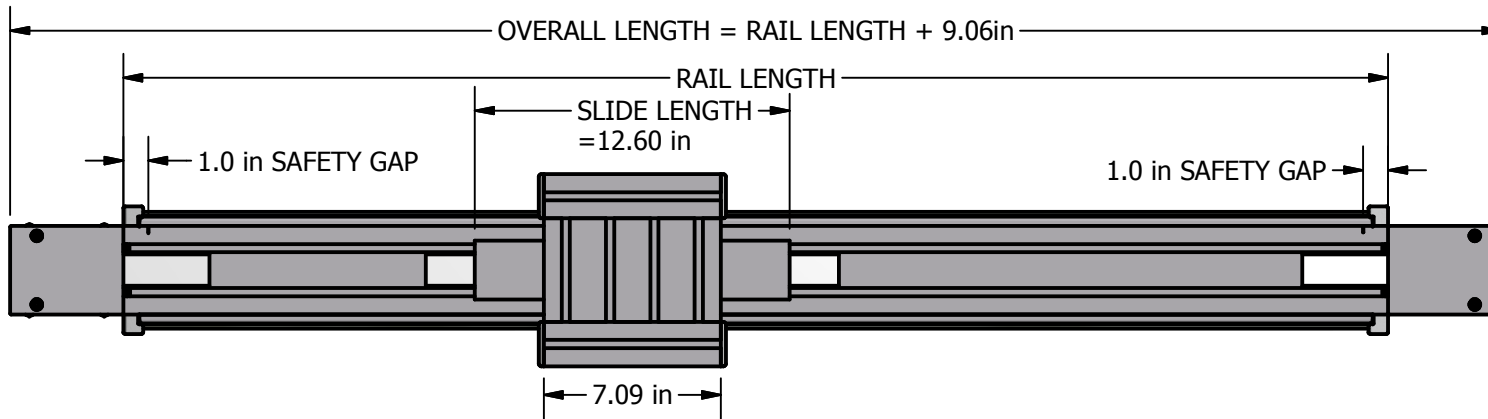
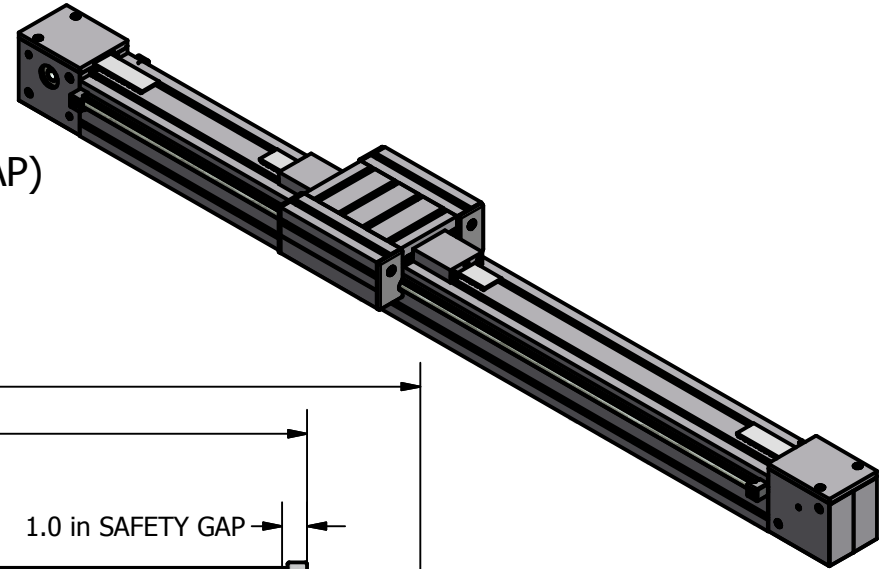

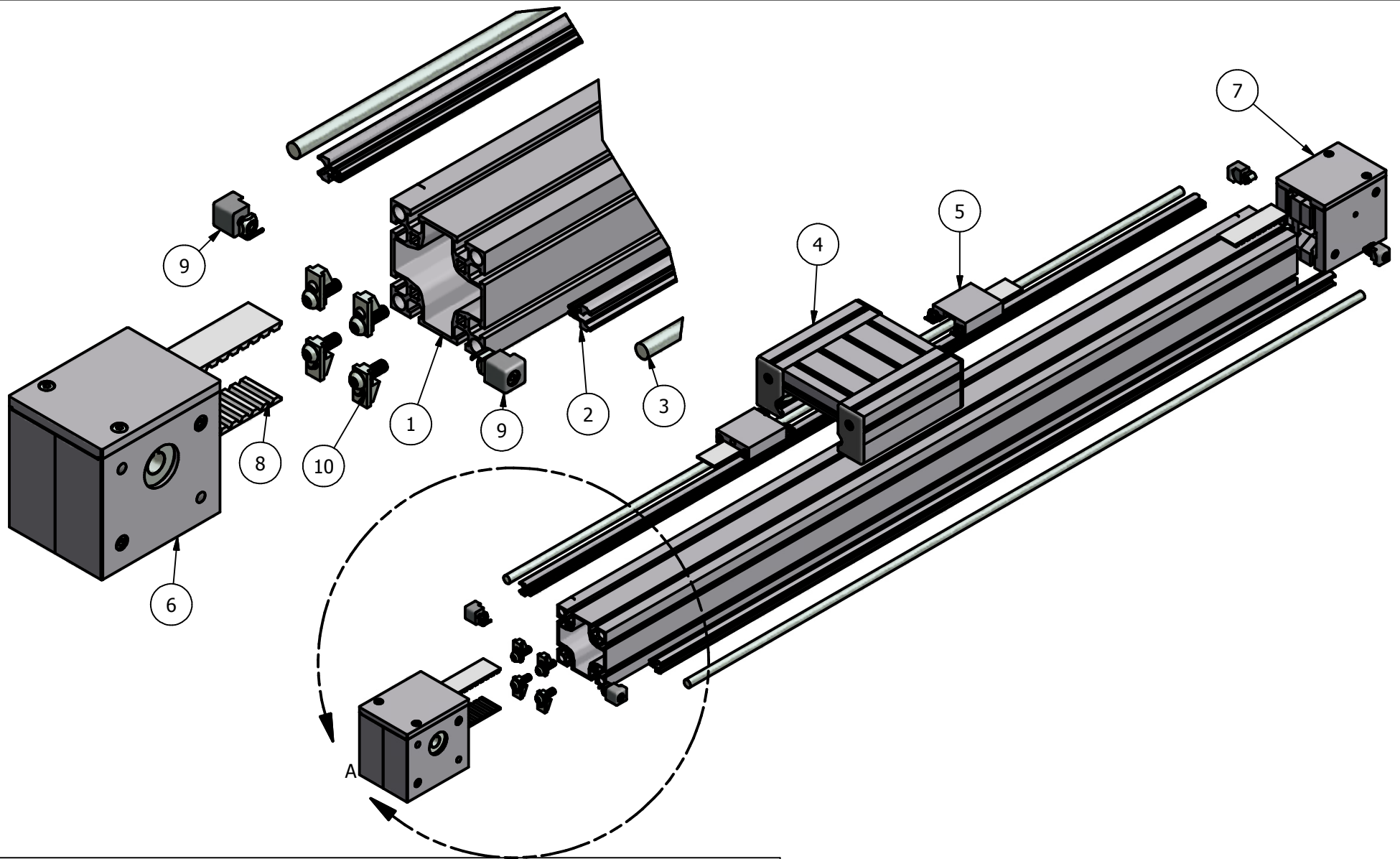


TRAVEL = RAIL LENGTH - SLIDE LENGTH - (2X SAFETY GAP)




PROJECT SP020712-1 LINEAR T90 LR12		 <small>THE ART OF SIMPLICITY</small>	<small>WWW.MINITECFRAMING.COM</small> <small>VICTOR, NY</small> <small>PH # 585 924-4690</small> <small>DIRECT 585 398-1240 EXT 104</small> <small>FX # 585 924-4821</small> <small>amoles@minitecframing.com</small>		
DRAWN BY ANDY MOLES					
DATE 2/7/2013					
DRAWN FOR MINITEC'S CUSTOMER		TITLE TIMING BELT SYSTEM T90 LR12 GENERIC		DWG NO SP020712-1	REV
<small>TOLERANCES UNLESS OTHERWISE NOTED</small> <small>X +/- .132"</small> <small>XX +/- .015"</small> <small>XXX +/- .010"</small>		MATERIAL		FINISH	
				SHEET 1 OF 2	



PARTS LIST QTY 1

ITEM	PART #	MATERIAL	DESCRIPTION	QTY
1	20.1010		PROFILE 90X90L	1
2	28.0002		SHAFT SUPPORTING PROFILE	2
3	17.1741		SHAFT12	2
4	28.0092		SLIDE LW 90	1
5	28.0090		TIMING BELT TENSIONER	2
6	28.0082/4		TIMING BELT PULLEY T90 16mm	1
7	28.0082 TIMING BELT PULLEY T90			1
8	28.0093		TIMING BELT 32 AT 10	4
9	28.0052		SHAFT RETENTION DEVICE	4
10	21.0818		POWER-LOCK SF	8

PROJECT SP020712-1 LINEAR T90 LR12		 THE ART OF SIMPLICITY	WWW.MINITECFRAMING.COM
DRAWN BY ANDY MOLES			VICTOR, NY
DATE 2/7/2013			PH # 585 924-4690
DRAWN FOR MINITEC'S CUSTOMER		TITLE TIMING BELT SYSTEM T90 LR12 GENERIC	DIRECT 585 398-1240 EXT 104
DWG NO SP020712-1		REV	FX # 585 924-4821
TOLERANCES UNLESS OTHERWISE NOTED X +/- .132" XX +/- .015" XXX +/- .010"		MATERIAL	amoles@minitecframing.com
FINISH		SHEET 2 OF 2	